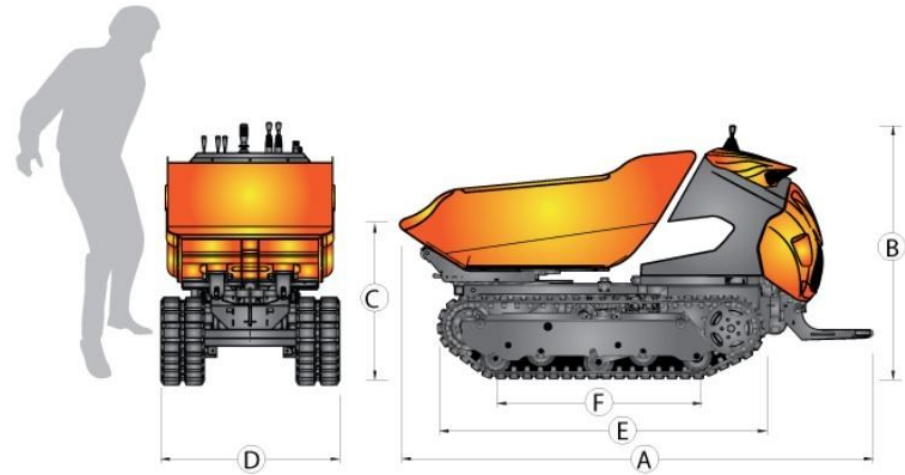


	mm	in
A	2616	103
B	1388	54.7
C	792	34.1
D	895	35.2
E	1770	69.7
F	1188	46.8



**ALEXANDROS  
SPATHARAS**

**CRANES - MACHINERY - PARTS**

**ALEXANDROS SPATHARAS COMPANY  
CRANES - MACHINERY-SPARE PARTS**

**41, Iasonidou Str.**

**GR-56334 Thessaloniki, GREECE**

**N. Kordelio – Eleftheria.**

**Tel : +30 2310 709155**

**Fax :+30 2310 709989**

**[www.spatharas.eu](http://www.spatharas.eu)**